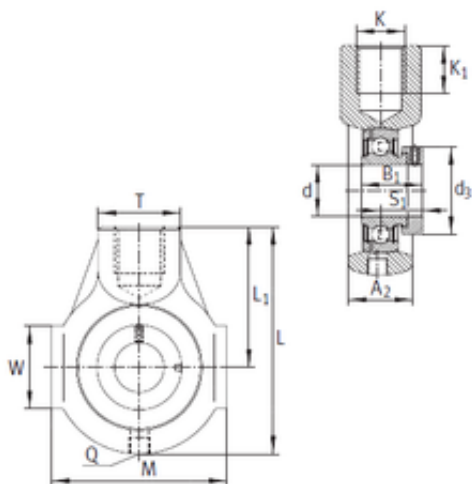




Linn palier Co., Ltd.

INA PHE20 unit é s de roulement

Bearing No. PHE20



PHE20 Bearing 2D drawings and 3D CAD models

Bore Diameter	20 mm
d	20 mm
S1	23,5 mm
K1	21 mm
Thread (Q)	Rp1/8
Thread (K)	M16
d3	33 mm
B1	31 mm
L	91 mm
L1	58 mm
M	65 mm
T	30 mm
W	38 mm
A2	25 mm
Weight	0,54 Kg
Basic dynamic load rating (C)	12,8 kN
Category	Mounted Units & Inserts
Inventory	0.0
Manufacturer Name	SCHAEFFLER GROUP
Minimum Buy Quantity	N/A
Weight / Kilogram	0.683
Product Group	M06110