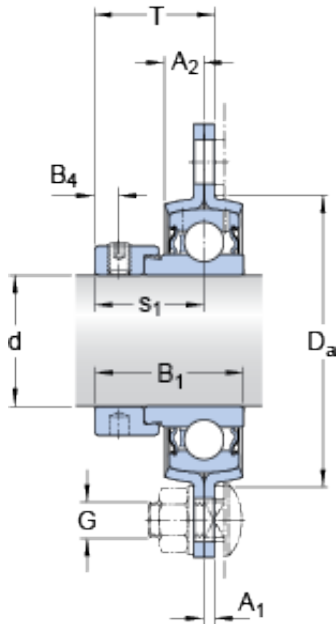




# Lnn palier Co., Ltd.



PFD 1.1/2 FM Bearing 2D drawings and 3D CAD models

## SKF PFD 1.1/2 FM unit é s de roulement

Bearing No. PFD 1.1/2 FM

Size	38.1x3.5x10 mm
Bore Diameter	38,1 mm
Outer Diameter	3,5 mm
Width	10 mm
d	38.1 mm
A <sub>1</sub>	3.5 mm
A <sub>2</sub>	10 mm
B	30.2 mm
B <sub>4</sub>	6.75 mm
D <sub>a</sub> - min.	87 mm
J	119 mm
H	148 mm
H <sub>1</sub>	53 mm
H	13.5 mm
s <sub>1</sub>	33.2 mm
T	36.7 mm
Basic dynamic load rating - C	30.7 kN
Basic static load rating - C <sub>0</sub>	19 kN
Fatigue load limit - P <sub>u</sub>	0.8 kN
Permissible radial housing load	max. 7.5 kN
Weight	1.1 kg
Thread - G <sub>2</sub> - 3/8-24 UNF	3/824 UNF
Hexagonal key size for grub screw - H	4.762 mm



## Lnn palier Co., Ltd.

Housing material	Pressed steel
A <sub>1</sub>	3.5 mm
A <sub>2</sub>	10 mm
B <sub>4</sub>	6.75 mm
D <sub>a</sub> min.	87 mm
H <sub>1</sub>	53 mm
N	13.5 mm
s <sub>1</sub>	32.7 mm
Basic dynamic load rating C	30.7 kN
Basic static load rating C <sub>0</sub>	19 kN
Fatigue load limit P <sub>u</sub>	0.8 kN
Permissible radial housing load max.	7.5 kN
Mass unit	1.1 kg
Thread grub screw G <sub>2</sub>	3/8-24 UNF
Hexagonal key size for grub screw N	4.763 mm
Recommended tightening torque for grub screw	16.5 N · m
Recommended diameter for attachment bolts, mm G	12 mm
Recommended diameter for attachment bolts, inch G	0.5 in