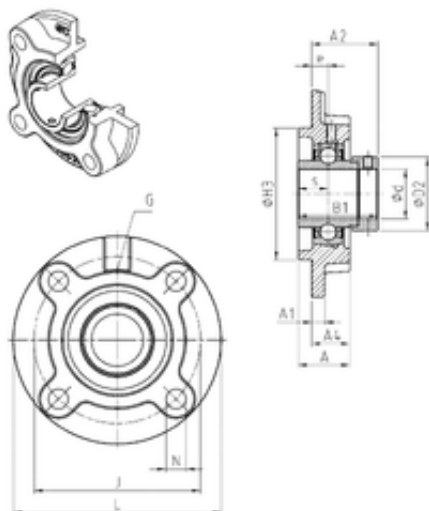




Lnn palier Co., Ltd.



SNR EXFC218 unit é s de roulement

Bearing No. EXFC218

Bore Diameter	90 mm
d	90 mm
H3	190 mm
A4	50 mm
e	22 mm
s	24,5 mm
A	68 mm
A1	20 mm
B1	72,5 mm
D2	120 mm
J	220 mm
L	265 mm
N	23 mm
Thread (G)	M10x1
A2	68,5 mm
Weight	13,6 Kg
Basic dynamic load rating (C)	96 kN

EXFC218 Bearing 2D drawings and 3D CAD models