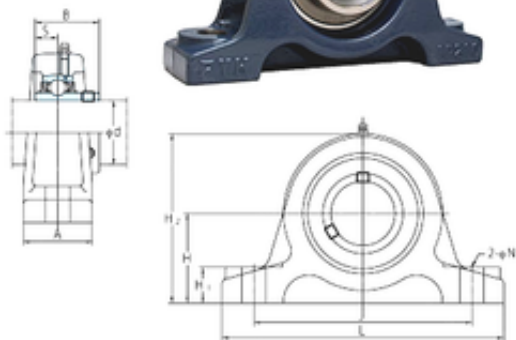




# Lnn palier Co., Ltd.

## FYH UCIP320 unit é s de roulement

Bearing No. UCIP320



UCIP320 Bearing 2D drawings and 3D CAD models

|                               |         |
|-------------------------------|---------|
| Bore Diameter                 | 100 mm  |
| Width                         | 108 mm  |
| d                             | 100 mm  |
| A                             | 85 mm   |
| B                             | 108 mm  |
| H                             | 150 mm  |
| H1                            | 45 mm   |
| H2                            | 295 mm  |
| J                             | 360 mm  |
| L                             | 430 mm  |
| N                             | 29 mm   |
| S                             | 42 mm   |
| Bolt (G)                      | M27     |
| Weight                        | 36,9 Kg |
| Basic dynamic load rating (C) | 173 kN  |
| Basic static load rating (C0) | 141 kN  |