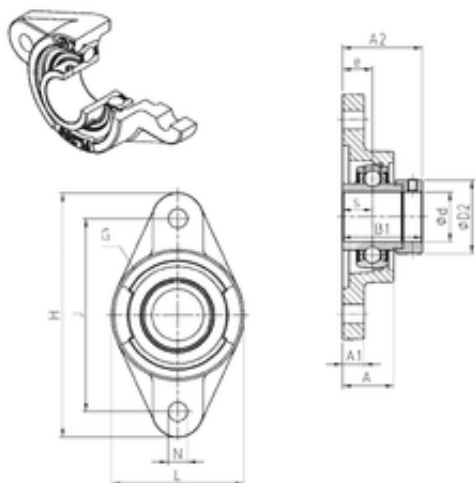




SNR EXFL306 unit é s de roulement



Bearing No. EXFL306

Bore Diameter	30 mm
d	30 mm
e	18 mm
s	17,5 mm
A	32 mm
A1	15 mm
B1	50 mm
D2	50 mm
H	180 mm
J	134 mm
L	90 mm
N	23 mm
Thread (G)	M6x1
A2	50,5 mm
Weight	1,5 Kg
Basic dynamic load rating (C)	27 kN

EXFL306 Bearing 2D drawings and 3D CAD models