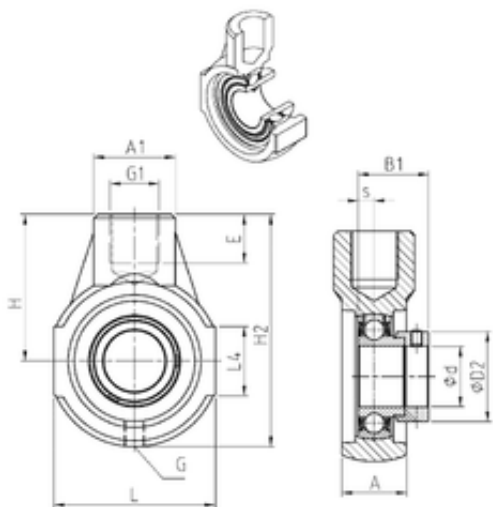




SNR ESEHE206 unit é s de roulement



ESEHE206 Bearing 2D drawings and 3D CAD models

Bearing No. ESEHE206

Bore Diameter	30 mm
d	30 mm
L4	40 mm
s	9 mm
A	32 mm
A1	40 mm
B1	35,7 mm
D2	44,5 mm
E	24 mm
G1	M24 mm
H	72 mm
H2	114 mm
L	85 mm
Thread (G)	R1/8"
Weight	1,3 Kg
Basic dynamic load rating (C)	19,5 kN
A2	40 mm
B	23.8 mm
A5	14.8 mm
d1	44.1 mm
G	R1/8"
L1	72 mm
L3	40 mm
s1	27.8 mm
S	9 mm
SW	4 mm



Linn palier Co., Ltd.

C	19.5 kN
C0	11.2 kN
T min.	-20 ° C
T max.	100 ° C
Recommended tightening torque for set screw	11.5 Nm
Designation of housing	EHE206-
Designation of bearing	ES206G2