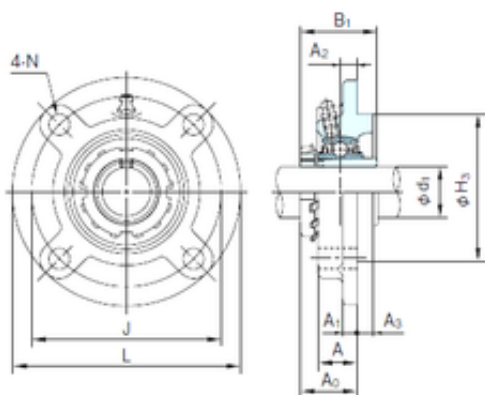




NACHI UKFC209+H2309 unit é s de roulement

Bearing No. UKFC209+H2309



UKFC209+H2309 Bearing 2D drawings and 3D CAD models

Bore Diameter	40 mm
d1	40 mm
H3	105 mm
A0	36 mm
A	26 mm
A1	14 mm
B1	50 mm
J	132 mm
L	160 mm
N	16 mm
Bolt (G)	M14
A2	10 mm
A3	12 mm